



YING SHUN
MACHINERY INDUSTRY CO., LTD.

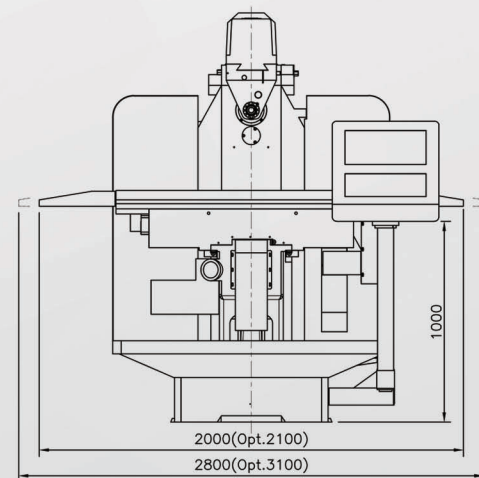
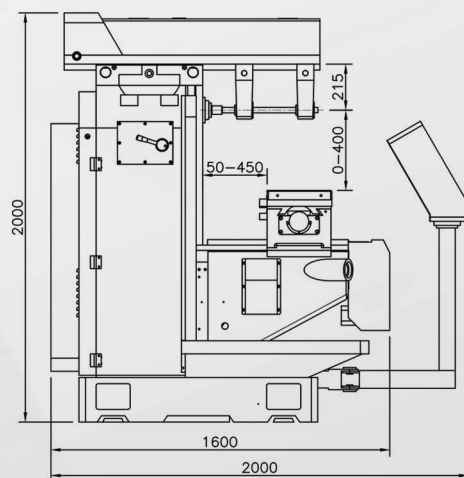
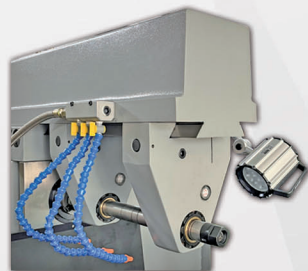
CNC Horizontal Milling Machine

YSM-26HNC



MECHANICAL FEATURE

- Controller Type: FANUC/SIEMENS/SYNTEC/FAGOR.
- The main casting part is made of meehanite casting.
- Inverter type used YASKAWA VFD
- X/Y/Z axis with servo motor (Z-axis with brake).
- X/Y/Z axis uses a double-nut ball screw.



SPECIFICATONS AND ACCESSORIES

Model	Unit	26HNC
Travel		
Longitudinal travel	mm	800 (Opt.1000)
Cross travel	mm	400
Vertical travel	mm	400
Slideway X/Y/Z	type	△ / □ / □
Overarm travel	mm	700
Dist. from spindle center to table	mm	0-400
Table		
Dimension	mm	1270x300 (Opt.1370x300)
T-slots (WidthxNo.xPitch)	mm	16x3x70
Spindle		
Speed (Inverter)	rpm	50-1500
Taper	type	NT40
Motor		
Spindle	HP	5 (Opt.7.5) 0.94/0.94/1.45 (SIEMENS 828D)
X/Y/Z axis motor	kw	1/1/1.1 (SYNTEC 6MA-E) 1/1/1.4 (FAGOR 8055i FL) 0.75/0.75/1.2 (FANUC Oi-MF PLUS)
feedrate		
X/Y/Z axis feed speed	mm/min	0-3000
Machine		
Net Weight	kg	2200

Standard accessories

- Draw bar
- Tool box and tools
- Front steel cover on Y axis
- Back chip cover on Y axis
- Working lamp & 3-color signal lamp
- Auto lubrication system
- Heat exchanger for electrical cabinet
- Manual Pulse Generator (MPG)
- Deluxe type operation panel
- XYZ-axis double nut ball screw
- XYZ-axis absolute pulse coder feedback
- Rear splash guard
- Chip tray
- Coolant system(Pump 1/8HP)
- Horizontal bracket (2pcs/set)
- Horizontal arbor(25.4mm)

Optional accessories

- Power drawbar
- Working table splash guard



YING SHUN MACHINERY INDUSTRY CO., LTD.

All specification , dimension and design characteristics shown in this catalogue are subject to change without notice.

No.5,Aly.162,Ln.136,Sec.1,Jiahou Rd.,Houli Dist., Taichung City 421,Taiwan(R.O.C.)

TEL:+886-4-25586346

ys@yingshun.com.tw

FAX:+886-4-25586930

<https://www.yingshun.com.tw>