



YING SHUN
MACHINERY INDUSTRY CO., LTD.

CNC Vertical Turret Milling Machine

YSM-20ANC

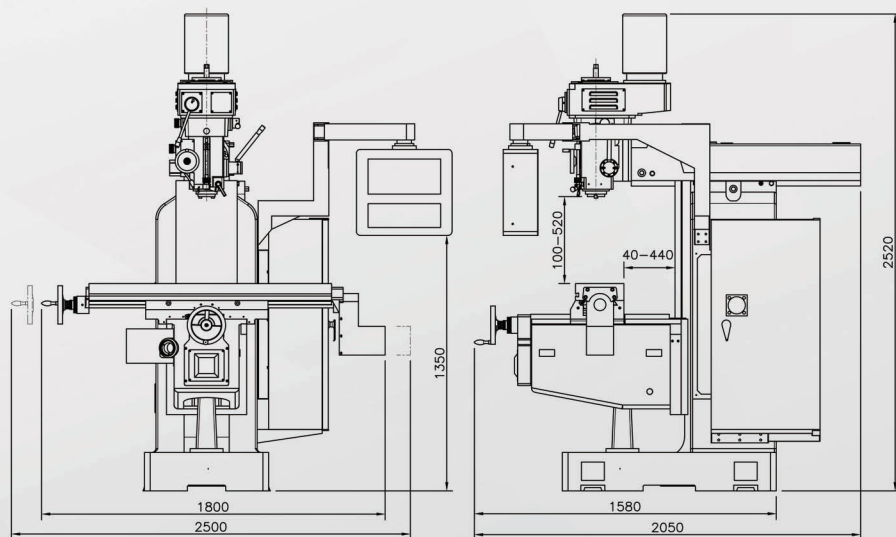


MECHANICAL FEATURE

- Controller Type: FANUC/SIEMENS/SYNTEC/FAGOR.
- The main casting part is made of meehanite casting.
- Inverter type used YASKAWA VFD
- X/Y/Z axis with servo motor (Z-axis with brake).
- X/Y/Z axis uses a double-nut ball screw.



MECHANICAL DIMENSIONS



SPECIFICATONS AND ACCESSORIES

Model Unit **20ANC**

Travel

| | | |
|----------------------------------|--------|---------------|
| Longitudinal travel | mm | 700 (Opt.800) |
| Cross travel | mm | 400 |
| Vertical travel | mm | 420 |
| Slideway X/Y/Z | type | △ / □ / □ |
| Quill travel | mm | 140(manual) |
| Overarm travel | mm | 570 |
| Overarm swivel | degree | Fixed |
| Dist. from spindle nose to table | mm | 100-520 |

Table

| | | |
|---------------------------|----|-------------------------|
| Dimension | mm | 1270x254 (Opt.1370x254) |
| T-slots (WidthxNo.xPitch) | mm | 16x3x63 |

Spindle

| | | |
|-------------------|------|---------|
| Speed (Inverter) | rpm | 55-3600 |
| Taper | type | NT40 |

Motor

| | | |
|------------------|----|--|
| Spindle | HP | 5 (Opt.7.5) 0.94/0.94/1.45 (SIEMENS 828D) |
| X/Y/Z axis motor | kw | 1/1/1.7 (SYNTEC 6MA-E) 1/1/1.4 (FAGOR 8055i FL) 0.75/0.75/1.2 (FANUC Oi-MF PLUS) |

Feedrate

| | | |
|-----------------------|--------|--------|
| X/Y/Z axis feed speed | mm/min | 0-3000 |
|-----------------------|--------|--------|

Machine

| | | |
|------------|----|------|
| Net Weight | kg | 1900 |
|------------|----|------|

Standard accessories

- Draw bar
- Tool box and tools
- Front steel cover on Y axis
- Back chip cover on Y axis
- Working lamp & 3-color signal lamp
- Auto lubrication system
- Heat exchanger for electrical cabinet
- Manual Pulse Generator (MPG)
- Deluxe type operation panel
- XYZ-axis double nut ball screw
- XYZ-axis absolute pulse coder feedback
- Rear splash guard
- Chip tray
- Coolant system(Pump 1/8HP)

Optional accessories

- Power drawbar
- Working table splash guard



YING SHUN MACHINERY INDUSTRY CO., LTD.

All specification , dimension and design characteristics shown in this catalogue are subject to change without notice.

No.5,Aly.162,Ln.136,Sec.1,Jiahou Rd.,Houli Dist., Taichung City 421,Taiwan(R.O.C.)

TEL:+886-4-25586346

ys@yingshun.com.tw

FAX:+886-4-25586930

<https://www.yingshun.com.tw>