



YING SHUN
MACHINERY INDUSTRY CO., LTD.

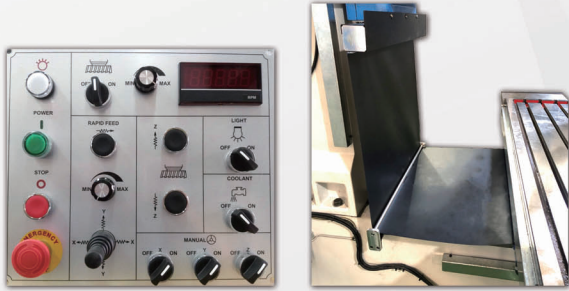
Bed Type Milling Machine

YSM-VB600A SERIES

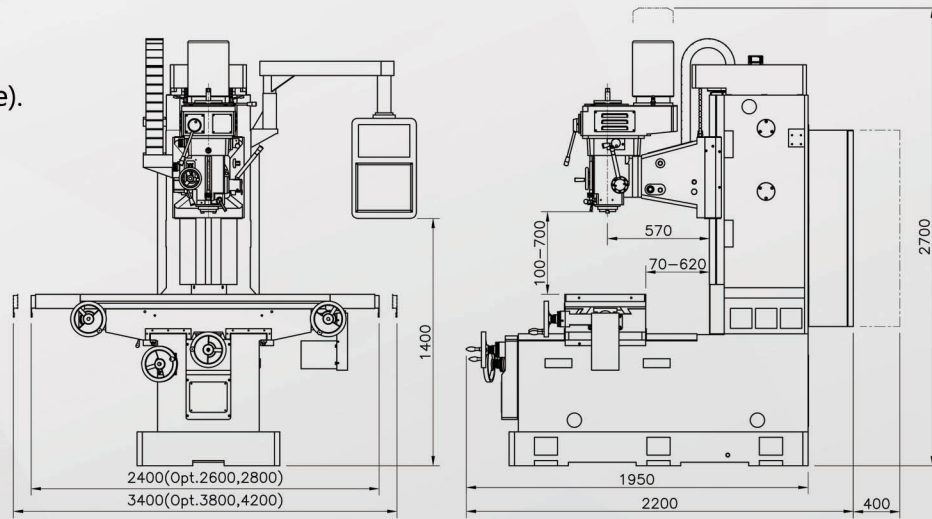


MECHANICAL FEATURE

- The main casting part is made of meehanite casting.
- Milling head type:
 - Steps (AE/AT) Inverter (EC/TC)
- X/Y/Z axis with servo motor feed (Z-axis with brake).
- X/Y/Z axis double nut ball screw.



MECHANICAL DIMENSIONS



SPECIFICATONS AND ACCESSORIES

Model	Unit	VB600AE	VB600AT	VB600EC	VB600TC
Travel					
X axis travel	mm	1000(Opt.1200/1400)			
Y axis travel	mm	550			
Z axis travel	mm	600			
Slideway X/Y/Z	type	△ / □ / □			
Quill travel	mm	140			
Quill swivel (R&L)	degree	±45			
Table					
Dimension	mm	1400x450(Opt.1600x450)			
T-slots (WxNxP)	mm	18x3x100			
Spindle					
Milling head	type	10/20 Steps	10 Steps	Inverter	
Speed	60Hz	rpm	70-3350(10)	75-3500	
	50Hz	rpm	58-2780(10)	60-2870	
		rpm	58-5560(20)		
Vertical feeds	mm/rev	0.04/0.08/0.15			
Main Taper	type	NT40			
Quill Diameter	mm	105	110	105	110
Motor					
Main spindle	HP	5 (Opt.7.5)			
X/Y/Z axis motors	KW	0.75/0.75/0.75			
feedrate					
X/Y/Z axis speed	mm/min	0-3000			
Machine					
Net Weight	kg	3400			

Standard accessories

- Draw bar
- Tool box and tools
- Tapping equipment of spindle
- Front steel cover on Y axis
- Back hoist drum chip cover on Y axis
- Working lamp
- Coolant system(Pump 1/4HP)
- Deluxe type operation panel
- Electric box
- X/Y/Z Servo motor
- X/Y/Z axis Ball screw
- Tapping equipment of spindle(AT/TC)

Optional accessories

- Power drawbar
- Digital readout (DRO)
- Above finned bellows cover on Z axis
- Working table splash guard
- Rear splash guard
- Chip tray



YING SHUN MACHINERY INDUSTRY CO., LTD.

All specification , dimension and design characteristics shown in this catalogue are subject to change without notice.

No.5,Aly.162,Ln.136,Sec.1,Jiahou Rd.,Houli Dist., Taichung City 421,Taiwan(R.O.C.)

TEL:+886-4-25586346

ys@yingshun.com.tw

FAX:+886-4-25586930

https://www.yingshun.com.tw